

# Low Pressure Compensator Line

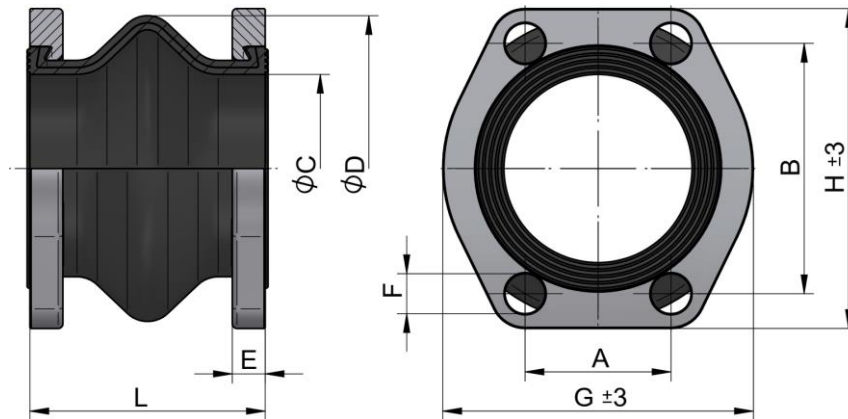
## SAE 1" to 5"



Rubber compensators are elastic connectors with turnable SAE flanges. Compensators are used for damping oscillations, vibrations, noises and movements in axial and transversal direction. The installation can be adapted with butterfly valves and weld-on flanges to form a complete suction unit.

### Design

Rubber compensators have a plain surface vulcanized to a fabric body (inside and outside) of the rubber part. The outside is weather resistant and protects the fabric against ageing, wear and corrosion. The interior of the rubber part consists of nitril-butadien-caoutchouc (NBR). The outer layer is a mixture of Chloroprene/Naturalrubber (CR/NR). Because compensators have tightening lips on both sides, further seals are not necessary.



### Technical Data

| order number | description | size |     | A    | B     | C                               | D     | E  | F  | G   | H   | L     | weight |
|--------------|-------------|------|-----|------|-------|---------------------------------|-------|----|----|-----|-----|-------|--------|
|              |             | SAE  | NG* |      |       |                                 |       |    |    |     |     |       |        |
| SDKSS025     | K16S – 25   | 1"   | 25  | 26,2 | 52,4  | 25 <sup>+1</sup> <sub>-3</sub>  | 53±2  | 11 | 11 | 59  | 70  | 65±3  | 0,4    |
| SDKSS032     | K16S – 32   | 1 ¼" | 32  | 30,2 | 58,7  | 32 <sup>+1</sup> <sub>-3</sub>  | 60±2  | 11 | 13 | 73  | 79  | 65±3  | 0,5    |
| SDKSS040     | K16S – 40   | 1 ½" | 40  | 35,7 | 70,0  | 40 <sup>+1</sup> <sub>-3</sub>  | 80±2  | 13 | 13 | 83  | 94  | 100±4 | 0,8    |
| SDKSS050     | K16S – 50   | 2"   | 50  | 42,9 | 77,8  | 48 <sup>+1</sup> <sub>-3</sub>  | 96±2  | 13 | 13 | 97  | 102 | 100±4 | 1,0    |
| SDKSS063     | K16S – 63   | 2 ½" | 63  | 50,8 | 89,0  | 63 <sup>+1</sup> <sub>-3</sub>  | 111±3 | 14 | 13 | 109 | 114 | 100±4 | 1,2    |
| SDKSS080     | K16S – 80   | 3"   | 80  | 62,0 | 106,4 | 80 <sup>+1</sup> <sub>-3</sub>  | 130±3 | 14 | 17 | 132 | 136 | 100±4 | 1,8    |
| SDKSS090     | K16S – 90   | 3 ½" | 80  | 70,0 | 120,7 | 80 <sup>+1</sup> <sub>-3</sub>  | 130±3 | 14 | 17 | 140 | 152 | 100±4 | 2,4    |
| SDKSS092     | K16S – 92   | 3 ½" | 90  | 70,0 | 120,7 | 90 <sup>+1</sup> <sub>-3</sub>  | 140±3 | 14 | 17 | 140 | 152 | 100±4 | 1,9    |
| SDKSS100     | K16S – 100  | 4"   | 100 | 77,8 | 130,2 | 100 <sup>+1</sup> <sub>-3</sub> | 150±3 | 16 | 17 | 152 | 162 | 100±4 | 2,5    |
| SDKSS126     | K16S – 125  | 5"   | 125 | 92,0 | 152,4 | 125 <sup>+1</sup> <sub>-3</sub> | 180±3 | 16 | 17 | 165 | 184 | 130±4 | 3,0    |

\*... NG = nominal size

# Low Pressure Compensator Line

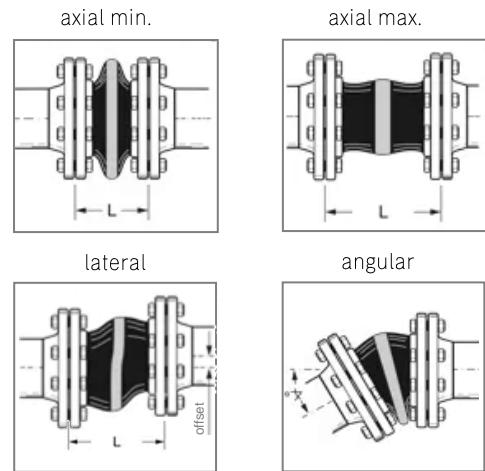
## SAE 1" to 5"



### Movements Limits

Please read our manual before installation!

| order number | description | axial**   |           | lateral** | angular** |
|--------------|-------------|-----------|-----------|-----------|-----------|
|              |             | min. [mm] | max. [mm] | +/- [mm]  | +/- [°]   |
| SDKSS025     | K16S – 25   | 62,5      | 67,5      | 2,5       | 3,5       |
| SDKSS032     | K16S – 32   | 62,5      | 67,5      | 2,5       | 3,5       |
| SDKSS040     | K16S – 40   | 95        | 105       | 5         | 5         |
| SDKSS050     | K16S – 50   | 95        | 105       | 5         | 5         |
| SDKSS063     | K16S – 63   | 95        | 105       | 5         | 5         |
| SDKSS080     | K16S – 80   | 95        | 105       | 5         | 5         |
| SDKSS090     | K16S – 90   | 95        | 105       | 5         | 5         |
| SDKSS092     | K16S – 92   | 95        | 105       | 5         | 5         |
| SDKSS100     | K16S – 100  | 95        | 105       | 5         | 5         |
| SDKSS126     | K16S – 125  | 125       | 135       | 5         | 5         |



\*\*...Allowable static movement range up to 60°C. Above 60°C, the static movement range will be reduced by 50%. Please note: Data not valid for combined movements. Please contact us for assistance.

### Material

|                 |                                   |
|-----------------|-----------------------------------|
| rubber inside   | NBR                               |
| rubber outside  | CR/NR (Chloroprene/Naturalrubber) |
| rubber hardness | 70 shore ±5                       |
| flange          | steel                             |

### Compatibility

Standardized mineral oil products (except synthetic oils), crude oil, lubrication oil, cooling oil (-20°C up to 80°C), grease (mineral), cold water, warm water up to 80°C, water/oil emulsions.

### Working Range

|  |   |
|--|---|
| maximum working pressure                                     | NG25 to NG80 0,5 - 1,5bar (absolute)<br>NG90 to NG125 0,7 - 1,5bar (absolute) |
| temperature range, depending on fluid, movement and pressure | -20°C bis +80°C   |



Please read manual before installation and for the maximum movement tolerances of the rubber connection! Note, that the dimension tolerances have to be taken from the corresponding scale drawing.